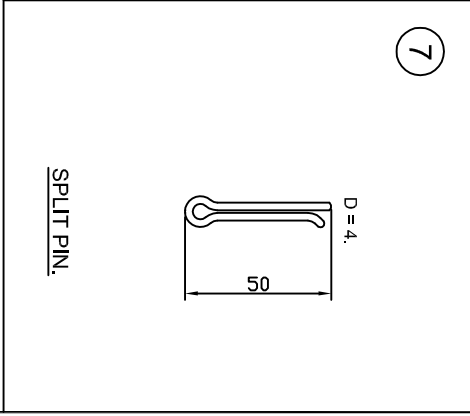
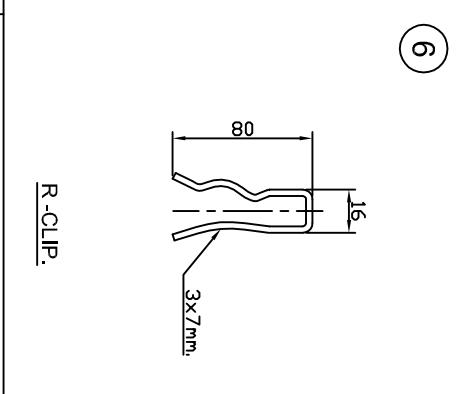
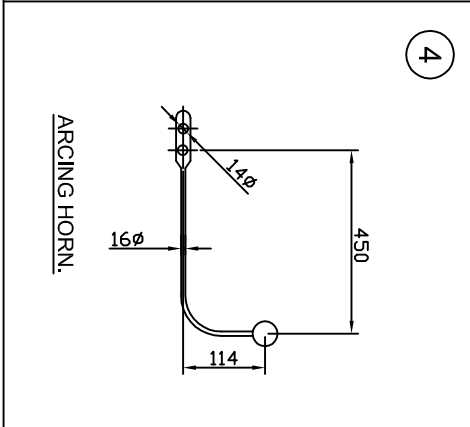
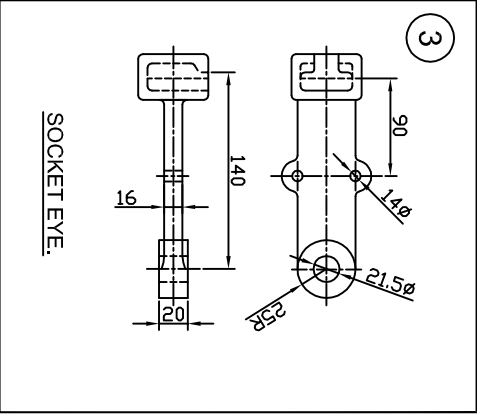
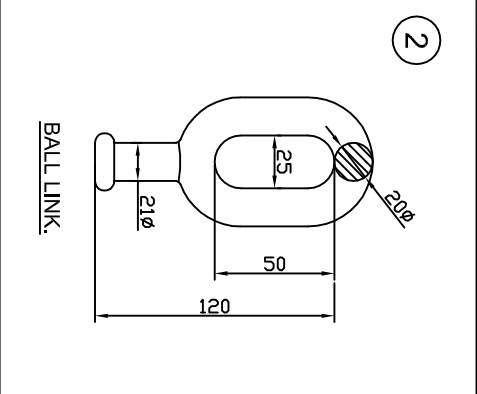
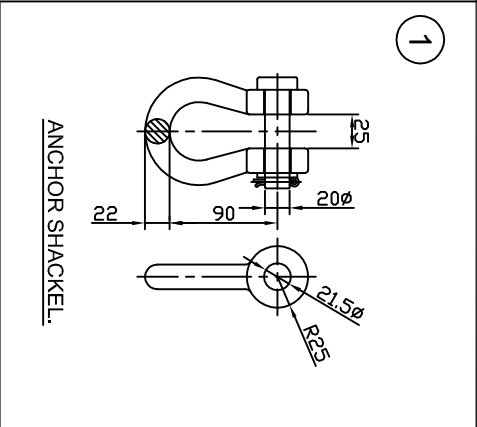


SINGLE TENSION STRING.

SR. NO.	DESCRIPTION	QTY.	SPECIFICATION
1	ANCHOR SHACKLE.	1	FORGED STEEL. HDG.
2	BALL LINK.	1	FORGED STEEL. HDG.
3	SOCKET EYE.	1	FORGED STEEL. HDG.
4	ARCING HORN.	1	M. S. HDG.
5	COMP/PRN. DEAD END.	1	AL. ALLOY EQUAL TO AL-59 & STEEL(TO BE SPECIFIED BY BIDDER)
6	R - CLIP.	1	P.B. / S. S.
7	SPLIT PIN.	2	BRASS / S.S.



5
(REFR SHEET 2 OF 2)
COMP. DEAD END.

NOTES:-
1 - ALL DIMENSIONS ARE IN MM.
2 - DIMENSIONS NOT TO SCALE.
3 - GENERAL TOLERANCEN AS PER IS
4 - M.F.L. - 95% UTS OF AL-59.
5 - SLP STRENGTH - 95% UTS OF AL-59.
6 - IS: 2486 - 1993.

<p>GUJARAT ENERGY TRANSMISSION CORPN.LTD. S.P.VIDYUT BHAVAN, RACE COURSE, VADODHA - 390 007</p>		<p>TENDER PURPOSE</p>	
<p>SINGLE TENSION HARDWARE FOR 7AL - 69" CONDUCTOR.</p>			
DRAWN:	CHECKED:	APPR:	SCALE:
DATE:	DATE:	DRG. NO:	SHEET: REV:
		2L-STD / AL59 HW&STM / 0M3	1 OF 2
			RO